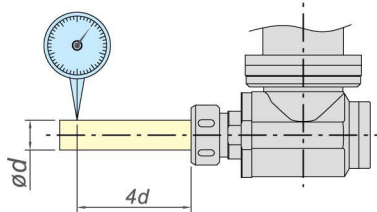


TR90

ЗАЖИМНЫЕ ПАТРОНЫ TR90 С УГЛОВЫМИ ГОЛОВКАМИ

所有角度頭皆經過精密測試與轉數測試
All angle heads have passed precision test and rotation test.



內孔同心度 0.005mm / 夾持刀具於 4d 處, 偏擺 0.007mm
TIR: 0.005 mm at holder nose and 0.007mm at 4d

| 旋轉方向 Rotation | |
|---|---------------------|
| 機械主軸側 Main spindle | 角度頭側 Angle shaft |
| 逆時針方向回轉 CCW (參數: M04) (Parameter: M04) | 順時針方向回轉 CW |

| 容許最高轉數 Max. min ⁻¹ | |
|----------------------------------|------------------------|
| 主軸 Main spindle (CCW) | 刀軸 Angle shaft (CW) |
| 2500 | 2400 |

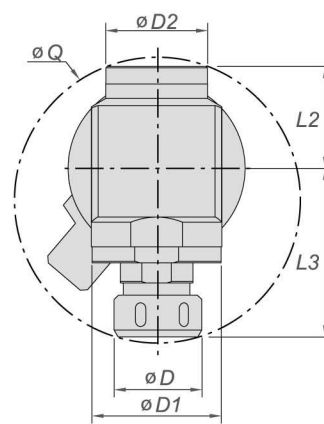
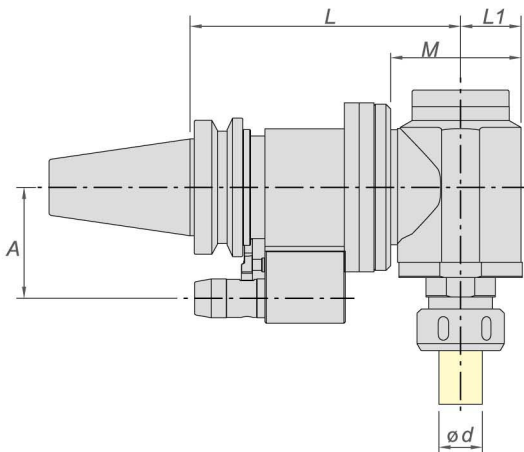


Fig. 1

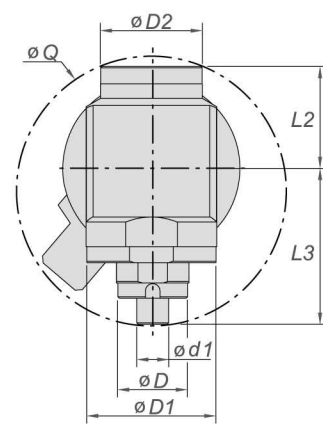


Fig. 2

Delivery with wrench. 隨附扳手.

| Part No. 規格 | Fig. | ød Range 夾持範圍 | ød1 | A | L | L1 | L2 | L3 | M |
|---------------------|------|------------------|-----|----|-----|----|----|-----|----|
| BT50-TR90-CTH25-195 | 1 | ø3.0 ~ ø25.0 | - | 80 | 195 | 44 | 70 | 110 | 97 |
| TR90-ER40 -195 | | ø3.0 ~ ø26.0 | | | | | | | |
| TR90-SM22 -195 | 2 | - | 22 | | | | | 108 | |

| Part No. 規格 | øD | øD1 | øD2 | øQ | kg |
|---------------------|----|-----|-----|-----|------|
| BT50-TR90-CTH25-195 | 63 | 90 | 70 | 193 | 13.6 |
| TR90-ER40 -195 | | | | 190 | |
| TR90-SM22 -195 | 48 | | | | |

*機械主軸與角度頭應反方向旋轉, 須確認主軸為逆時針旋轉.

*The machine spindle and angle shaft should rotate in reverse directions: please make sure the spindle rotates in the CCW direction.